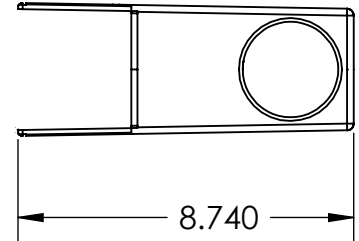
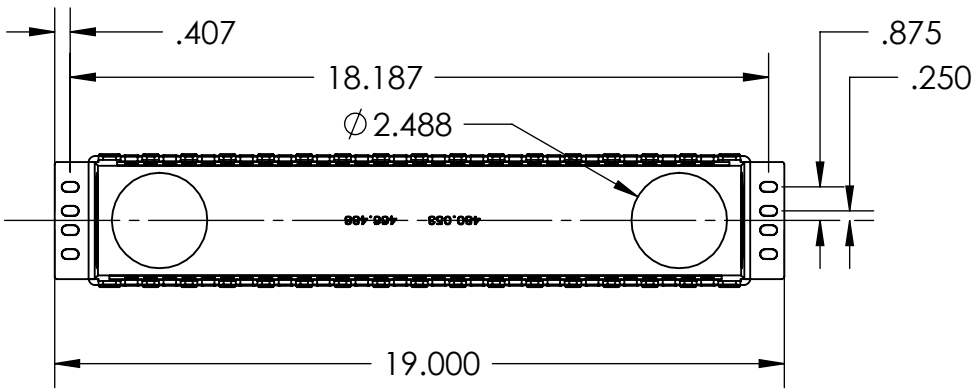
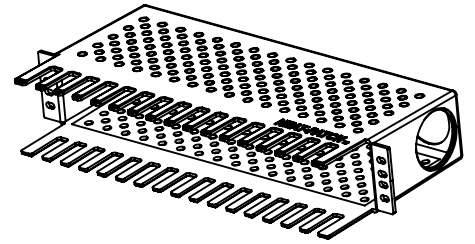
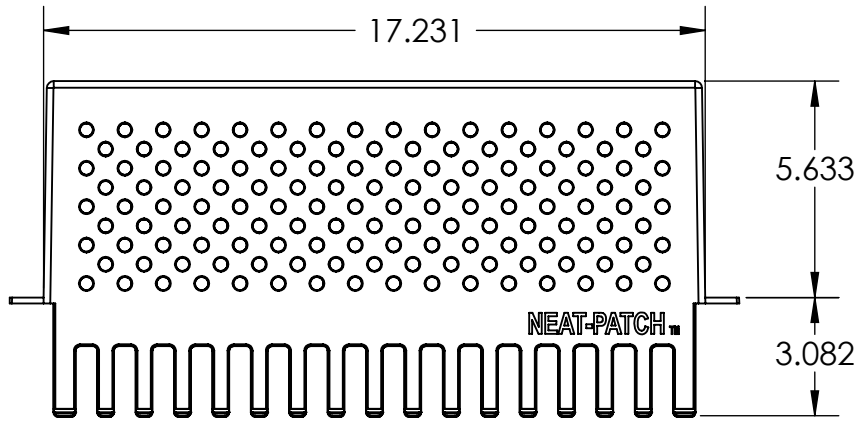
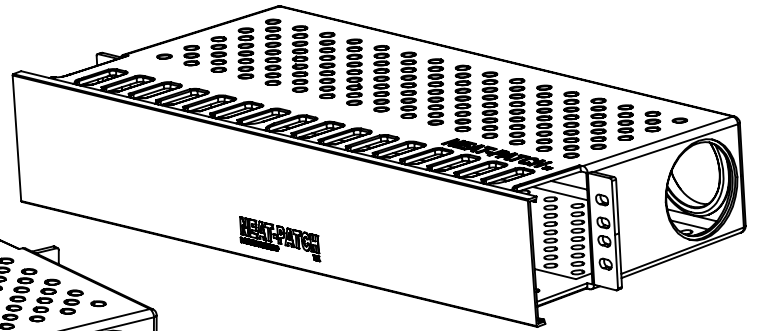
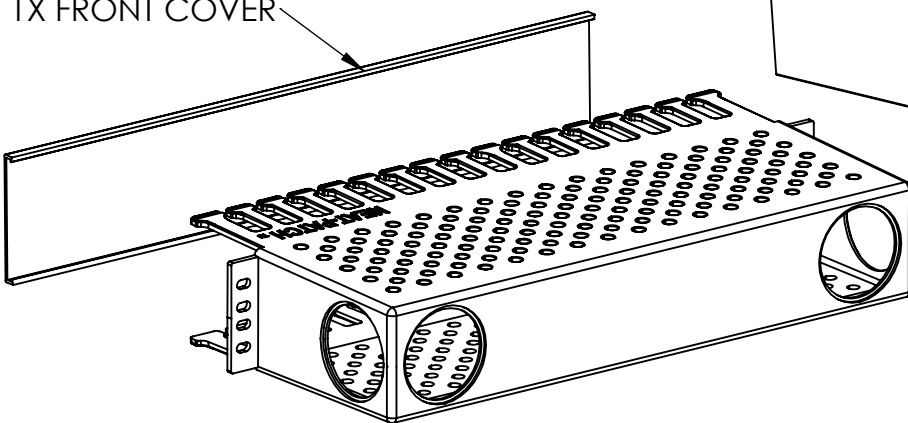


NP2 Cable Storage Manager Specification



1X FRONT COVER



2X GROMMET



4X REMOVABLE SNAP IN PLUG



NP2 CABLE MANAGER